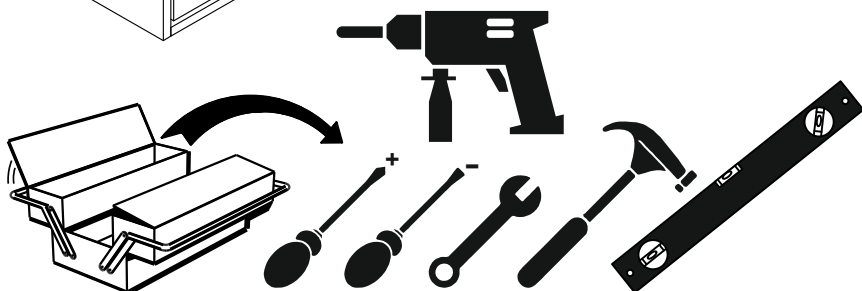
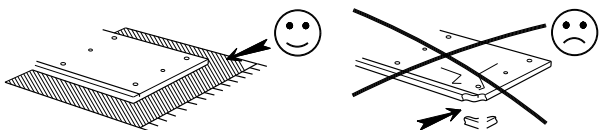
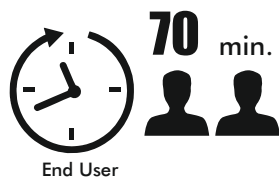
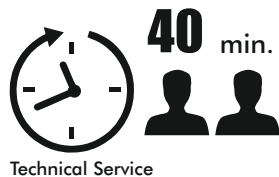
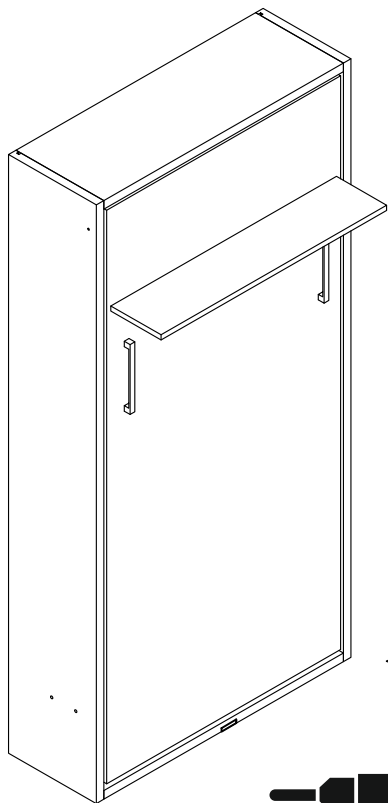


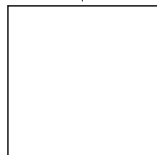


MULTIMO

1101-HAPPY



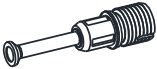

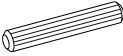


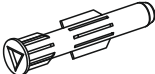
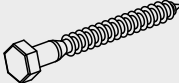


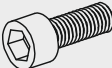
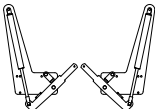
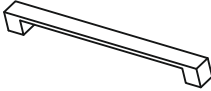

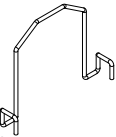
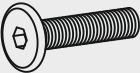

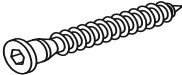

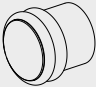
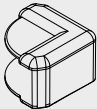
VIDEO

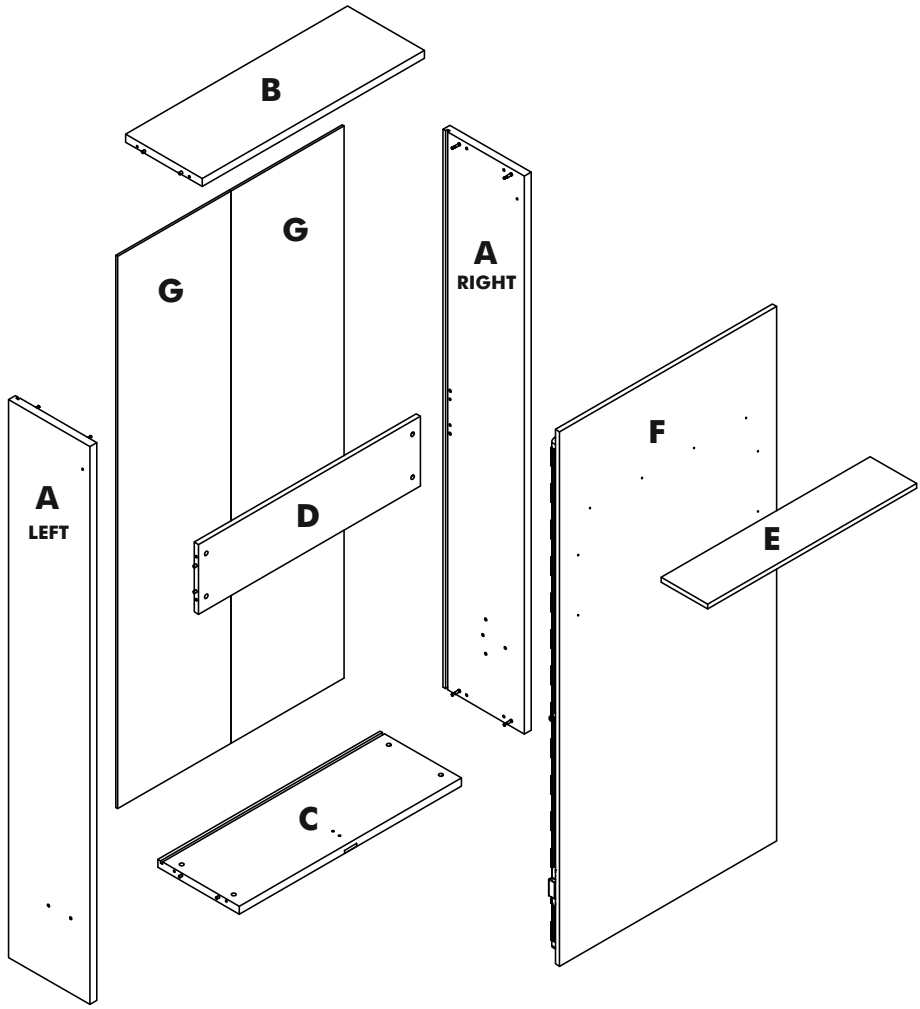


link

Track Title	Piece	(inch)			(mm)			
		Thickness	Length	Width	Piece	Thick	Height	Most
A-R / A-L	2	1,18	81,89	13,78	2	30	2080	350
B	1	1,18	37,80	12,95	1	30	960	329
C	1	1,18	37,80	13,74	1	30	960	349
D	1	0,71	37,80	10,24	1	18	960	260
E	1	0,71	35,43	7,87	1	18	900	200
F	1	0,71	78,46	36,77	1	18	1993	934
G	2	0,31	80,98	19,09	2	8	2057	485

Accessories List

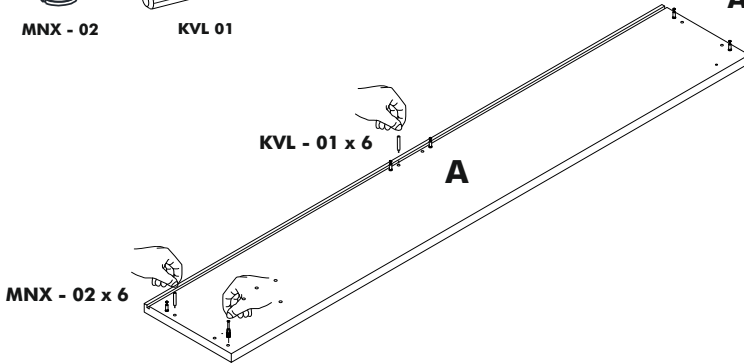
MXN 02  12 / piece DSE - 01 (40x90x32) mm	MNG - 01  12 / piece DD - 01 (R10)	KVL 01  12 / piece TFC - 01(8x70) mm	TAP - 01  12 / piece VTB - 01 (4,8x16) mm
 2 / piece PL - 02 (8x22x1) mm	 2 / piece IM - 01 (6x30) mm	 2 / piece KP - 01 (224) mm	 8 / piece VKP - 01 (22) mm
 2 / piece CT - 01 (6x40) mm	 4 / piece MKZ - 02  1 / piece 1000 N	 2 / piece VD - 02 (3,5x25) mm	 4 / piece TTC 01  3 / piece
 2 / piece VDA - 01 (6,5x50) mm	 12 / piece H 01	 4 / piece KKS - 01	 1 / piece OT-054  2 / piece
 2 / piece			



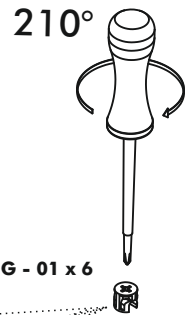
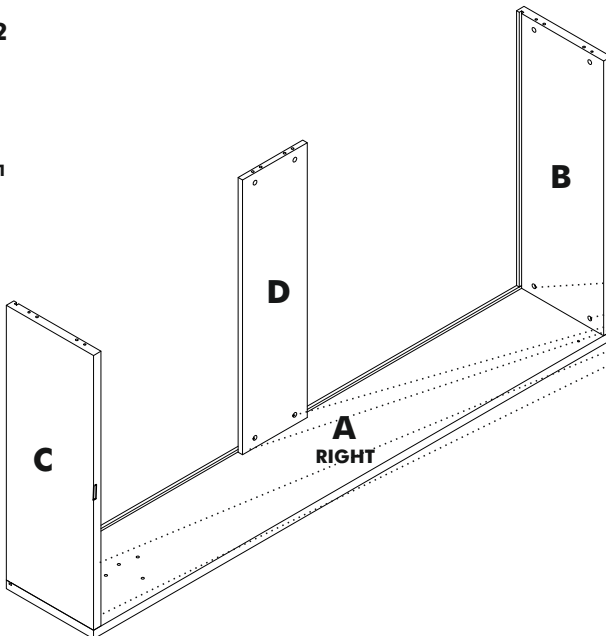
STEP 1



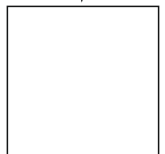
**TRACK TITLE
A LEFT / A RIGHT**



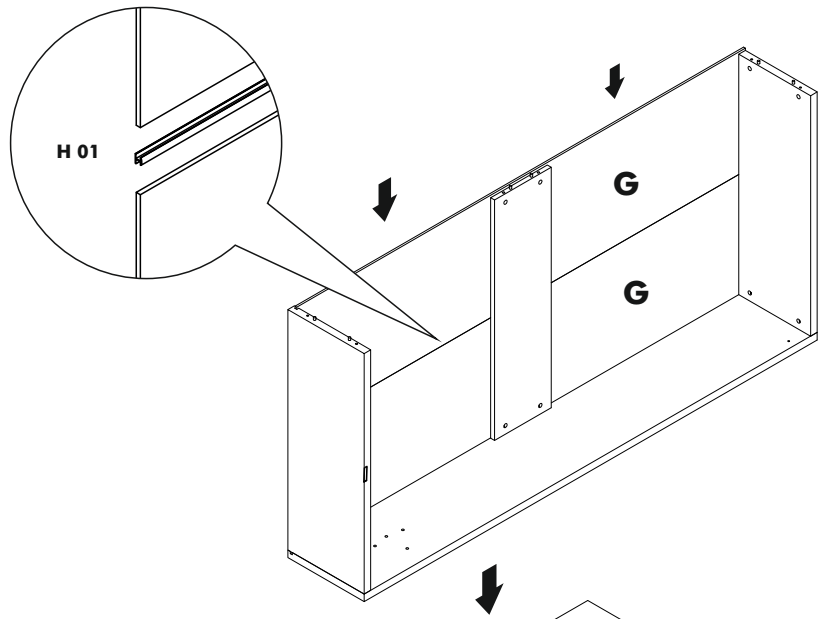
STEP 2



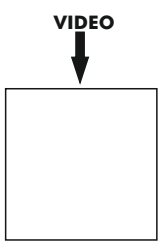
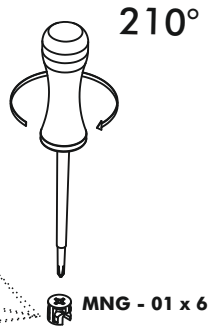
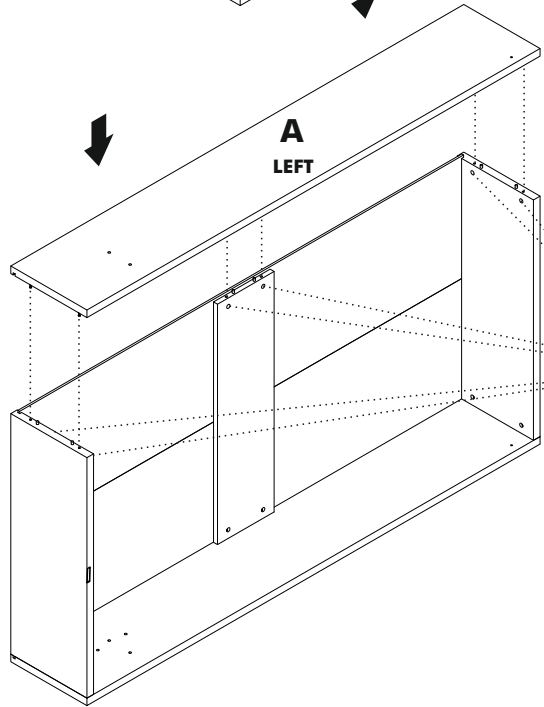
VIDEO



STEP 3

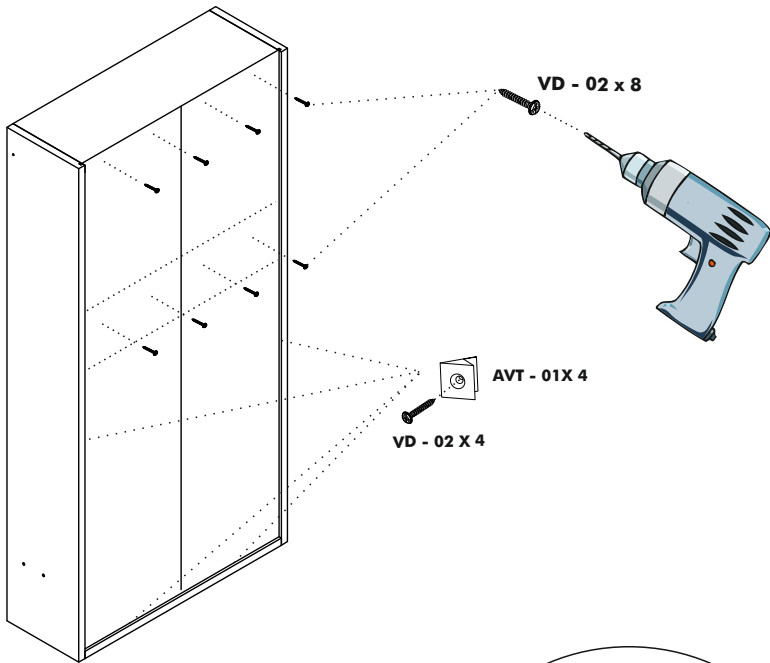


STEP 4

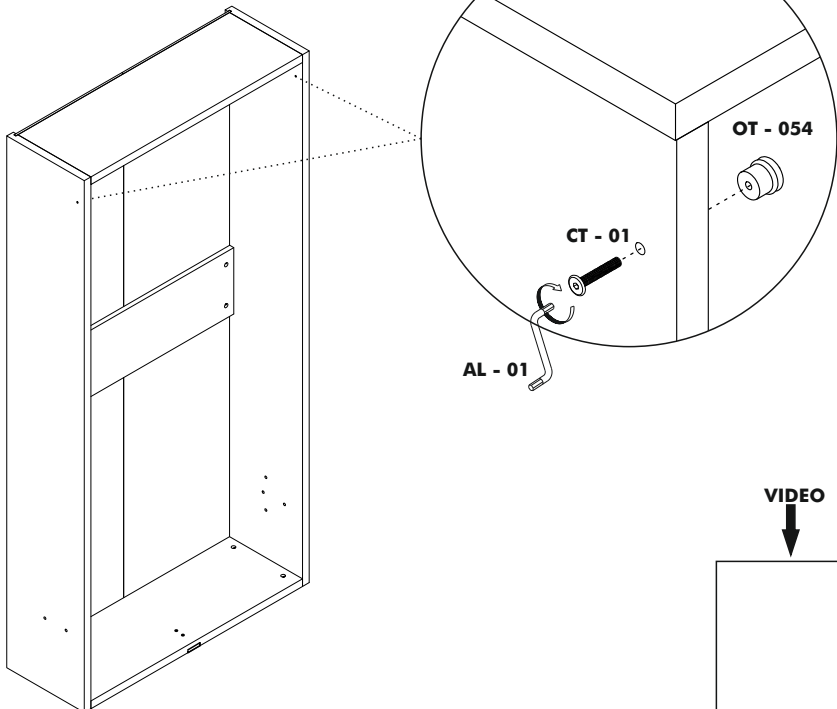


link

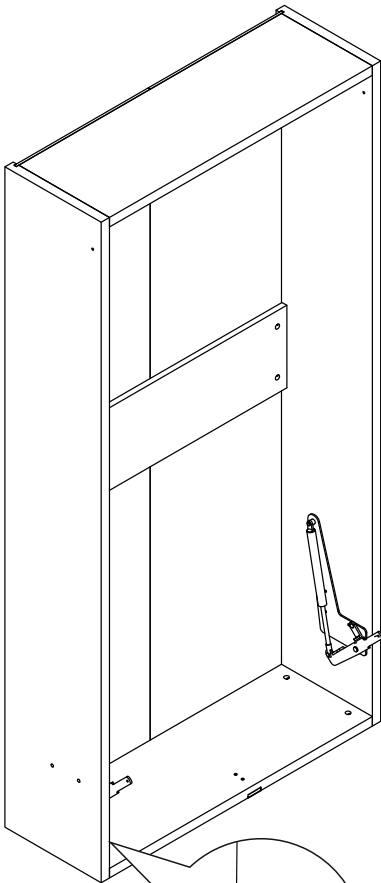
STEP 5



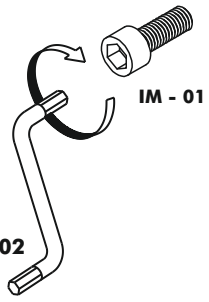
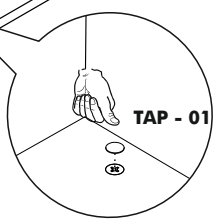
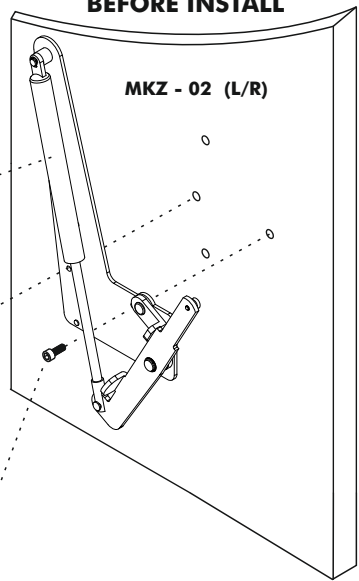
STEP 6



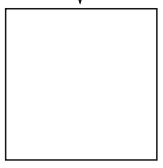
STEP 7



CAUTION
DO NOT UNLOCK
BEFORE INSTALL



VIDEO



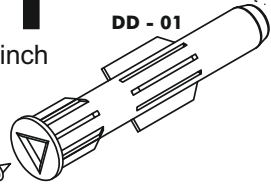
link

STEP 8



Ø 10 mm / 0,254 inch

DD - 01

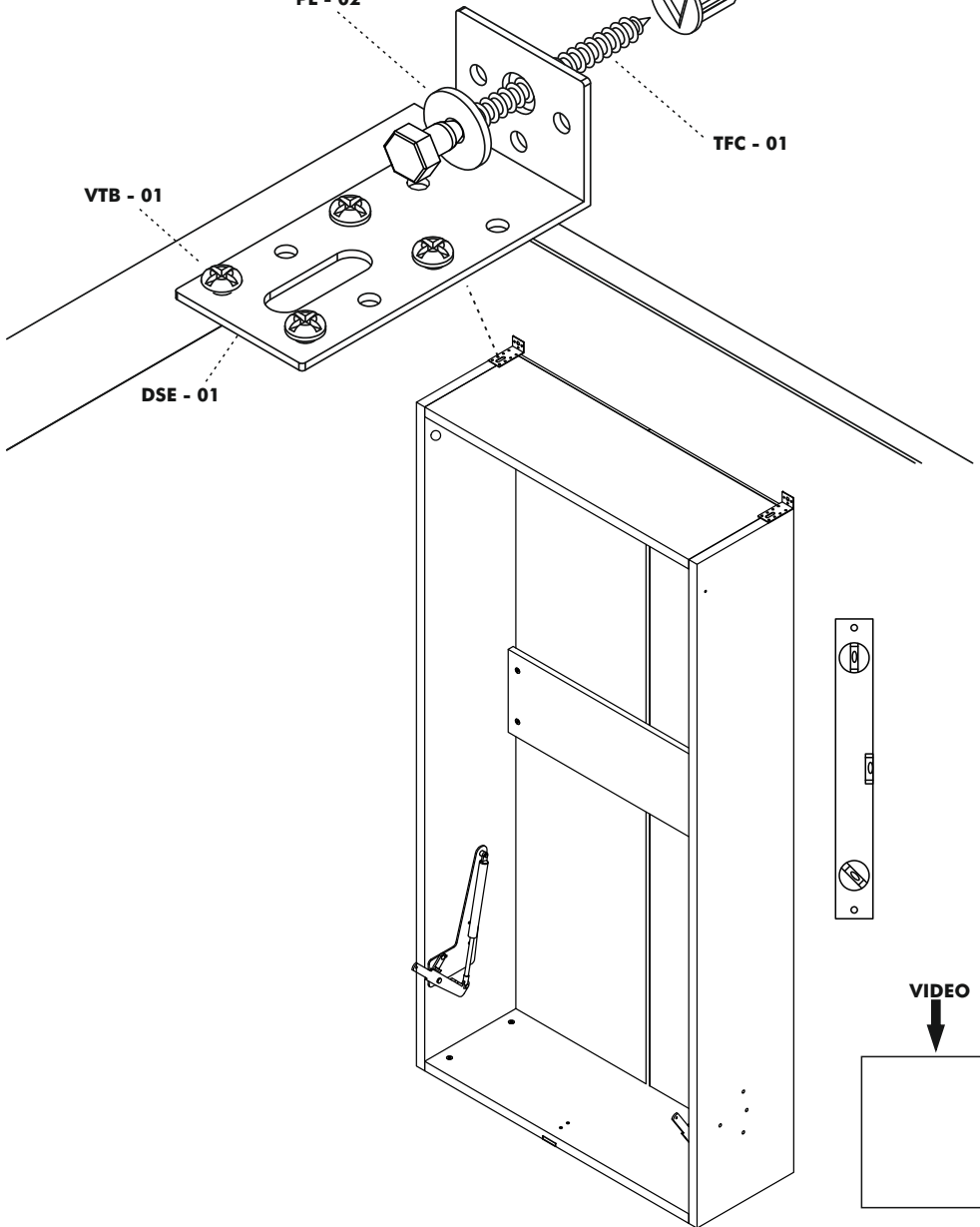


PL - 02

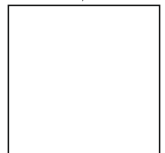
TFC - 01

VTB - 01

DSE - 01

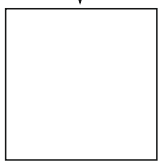
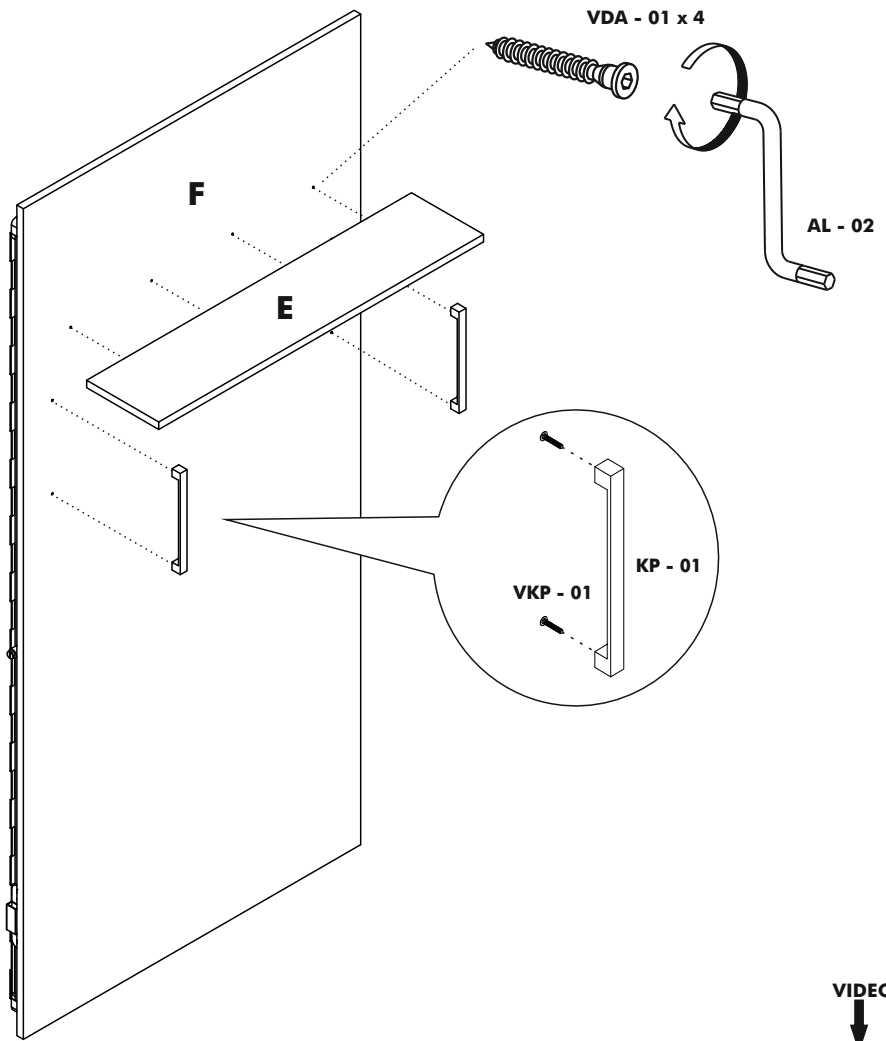


VIDEO



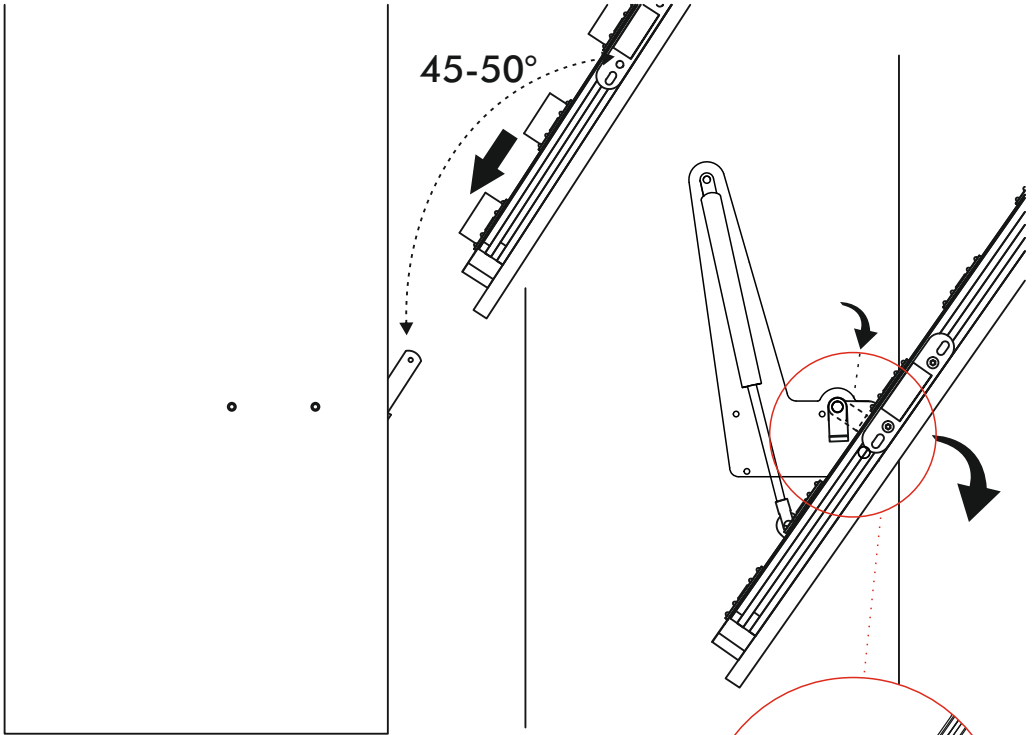
link

STEP 9

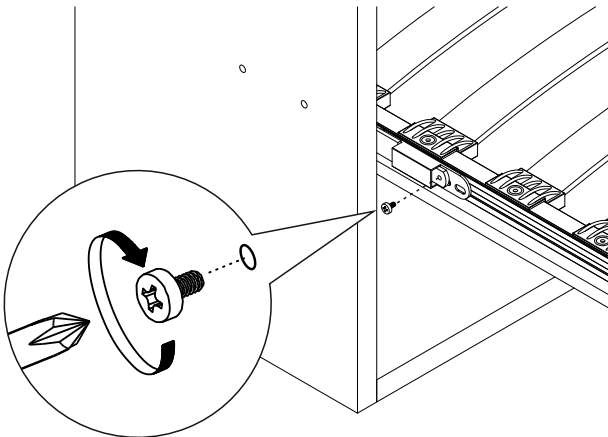
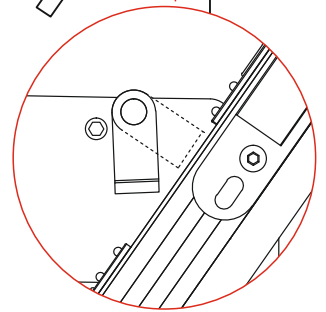


link

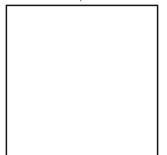
STEP 10



**KAPAK KAPATILMADAN KİLİDİ İNDİRİN !!!
LET THE STOPPER LOCK MOVE DOWN !!!**

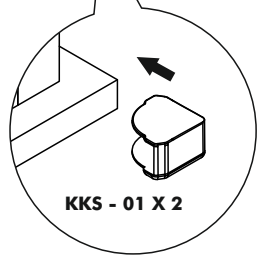
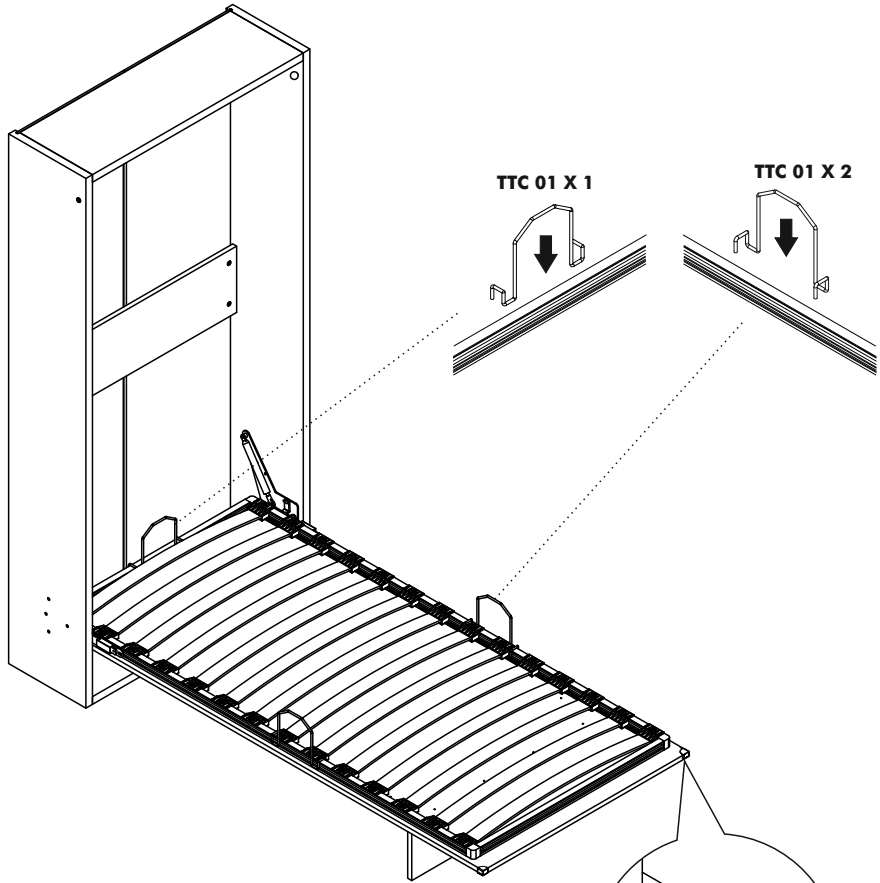


VIDEO

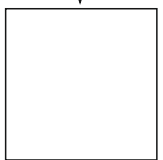


link

STEP 11



VIDEO



link



www.multimo.com